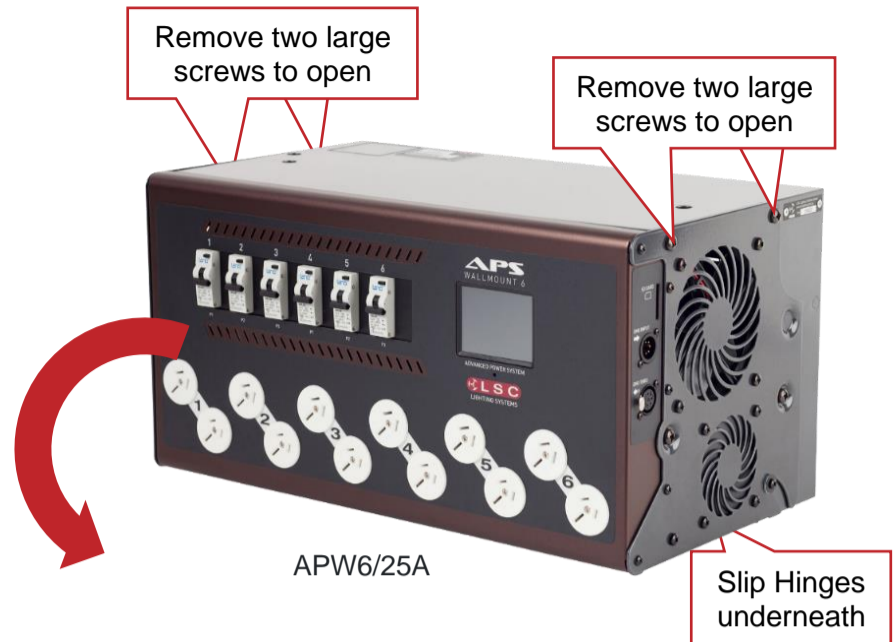
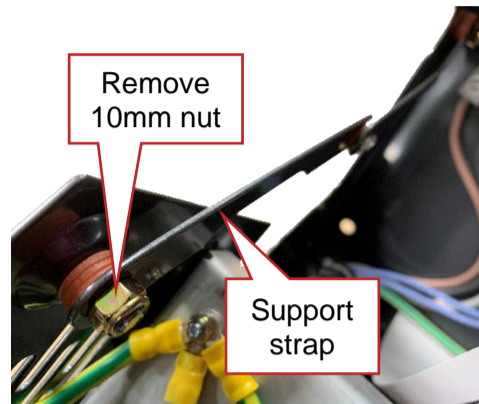


All electrical work must be carried out by a suitably qualified person. Illustrations below show APS units. GEN VI units are similar.

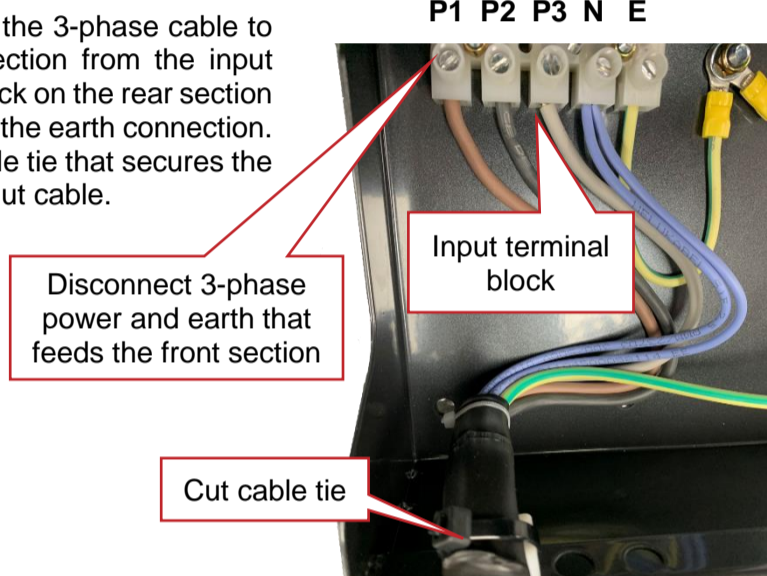
The unit is comprised of two sections. The front section (containing all of the electronics) is attached to the rear section by two hinges located at the bottom and the front section can be completely detached from the rear section to allow better access to the mounting points and the supply and load cable terminations. This also allows the rear section to be mounted and connected whilst the front section is safely stored until all other trades have completed their work and the area is safe and clean.

### Disassembly

To completely detach the front section, remove the 4 large screws as shown then unfold the front section. Use a 10mm spanner to remove the 2 nuts holding the metal support straps and lift the straps off the bolts. Replace the nuts to retain the fibre washers. Carefully unfold the front section to the fully open position.



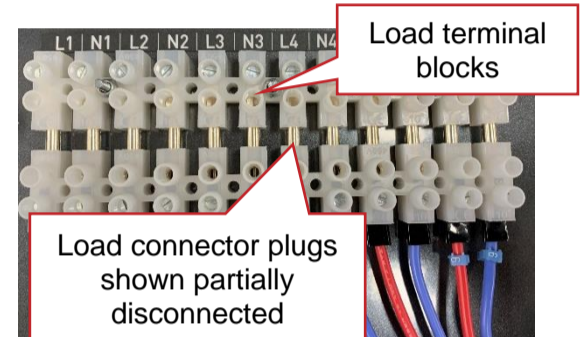
Disconnect the 3-phase cable to the front section from the input terminal block on the rear section and un-bolt the earth connection. Cut the cable tie that secures the 3-phase input cable.



### For hardwired output versions only

#### 10-Amp output versions

Un-plug the load connector plugs from the load terminal blocks on the rear section. These connections are tight and will need to be prised out.



#### 25-Amp output versions

Remove the load terminal block by undoing the nuts that secure the terminal block to the rear section. The load cables will be connected to this terminal block when the front section is re-fitted later.

The front section can now be removed from the rear section by sliding it sideways off the split hinges.

### Mounting the Rear Panel and Power Connections

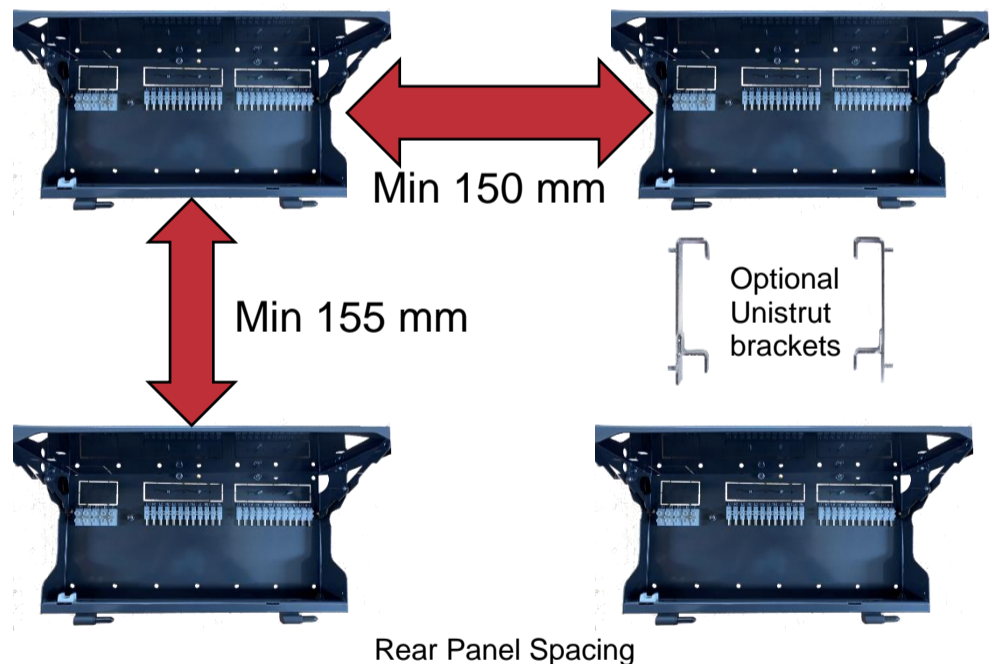
Mount the rear section either directly to the wall or to Unistrut observing the minimum clearances (sides 150mm, top and bottom 155mm). Unistrut brackets are available from LSC. Remove the cable access knockouts where required. Connect the 3-phase input power and earth to the input terminal block and earth stud.

**For GEN VI Dimmers only:** The rating of the neutral conductor feeding the dimmer must be at least 1.25 times that of rated limit of any of the active phase conductors. This is because various combinations of dimmer drive will result in a neutral current higher than the line current due to the phase control characteristics of these type of dimmers. For example, a 40Amp 3 phase supply must have a neutral rated at 50Amps.

Connect all of the load cable earths to the earth stud.

**For 10-amp output hardwired output versions only.** Connect the L & N load cables to the load terminal blocks.

**For 25-amp output hardwired output versions only.** Position the load cables in the rear section so that they can be connected when the terminal block when the front section is re-fitted.



**Test all load circuits.**

### Reassembly.

Ensure that the 3-phase power to the unit is **OFF**.

Slide the front section onto the rear section hinges. If access is tight, the screw and washer that restrict the side movement of the front section can be removed to allow the front section to slide onto the hinges. Replace the screw and washer once the hinges are engaged.

**For 10-Amp hardwired output versions only.** Plug the load connector plugs into the load terminal blocks.

**For 25-Amp hardwired output versions only.** Replace the output terminal block then connect the L & N load cables to it.

Re-connect the 3-phase input cable of the front section to the input terminal block on the rear section, bolt the earth connection and cable tie the input cable to the rear section.

Lift up the front section and re-attach the metal support straps. Close the front section ensuring no load or mains cable can become damaged then re-attach the 4 large screws that secure the front section to the rear section.

**Warning:** Do not megger test any load circuits when they are connected to the unit electronics.