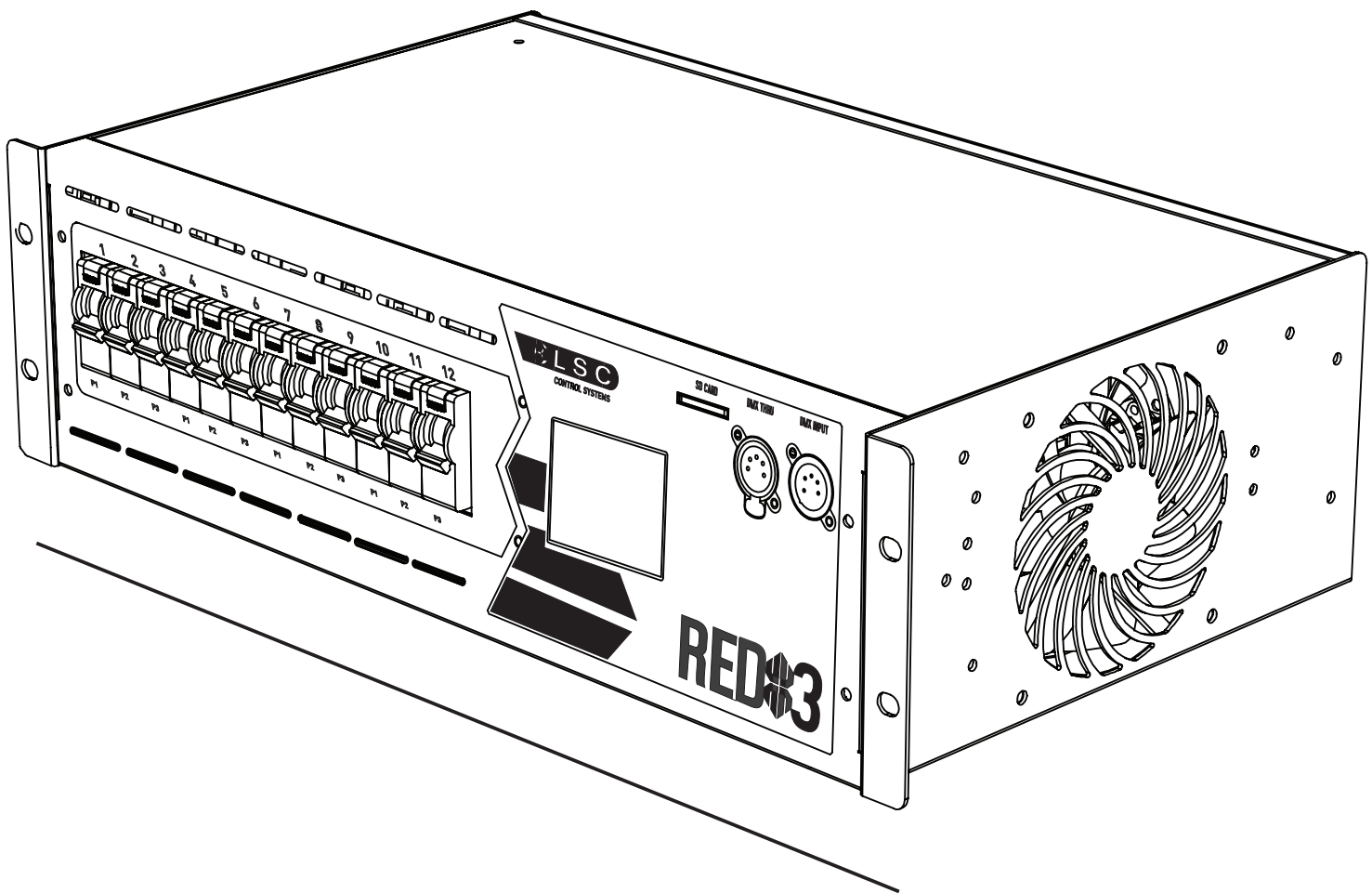


RED3

LSC

CONTROL SYSTEMS

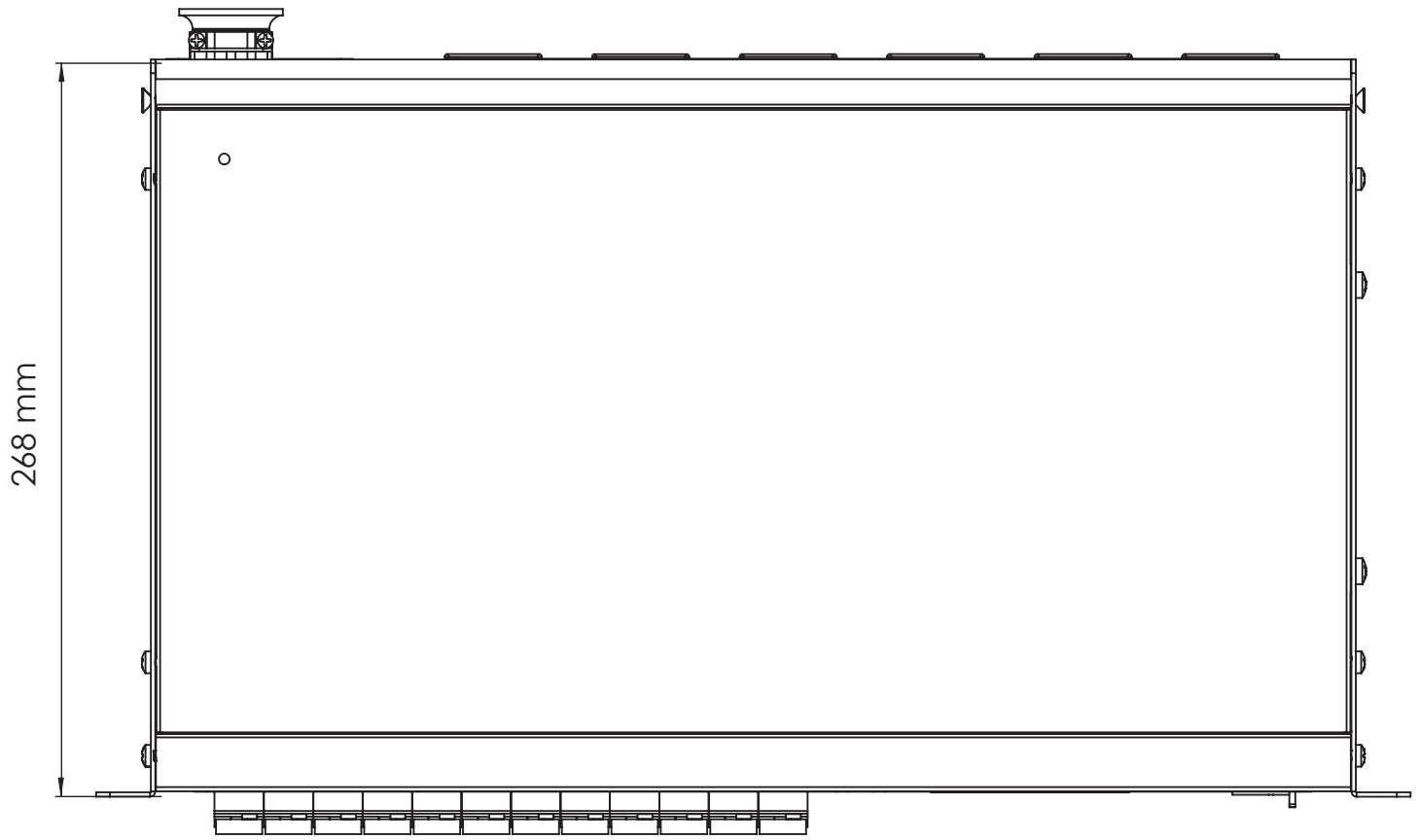


RED3 12 Channel 10 Amp Dimmer

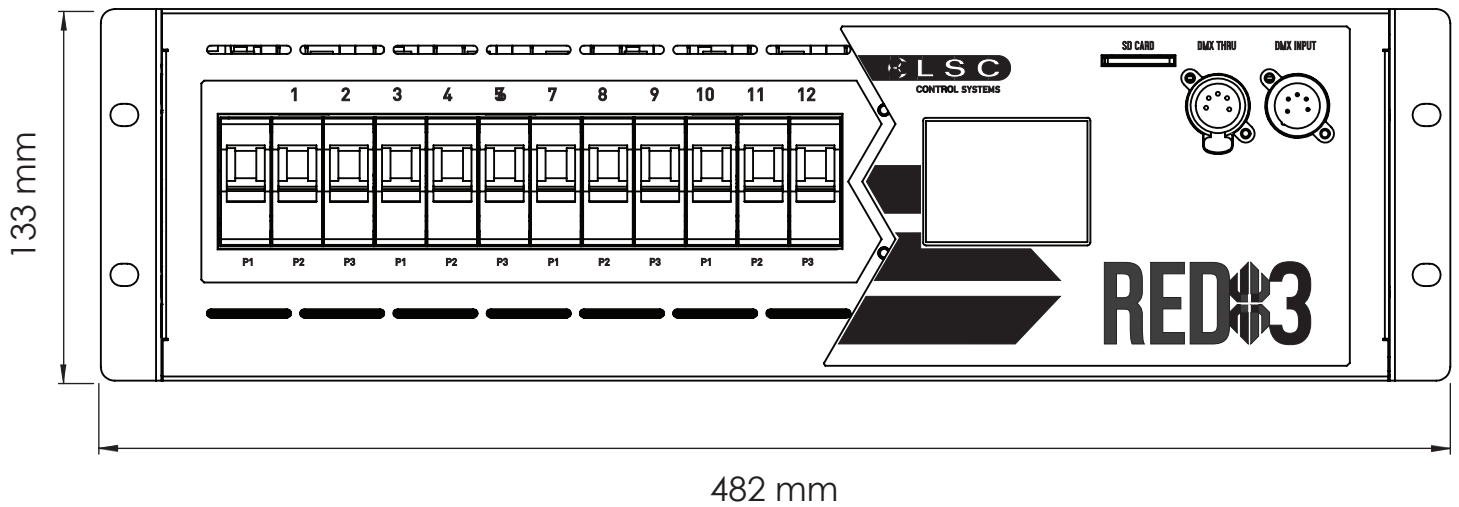
LSC Control Systems

Version Number 2.0
Scale 1 : 2.68

Top View

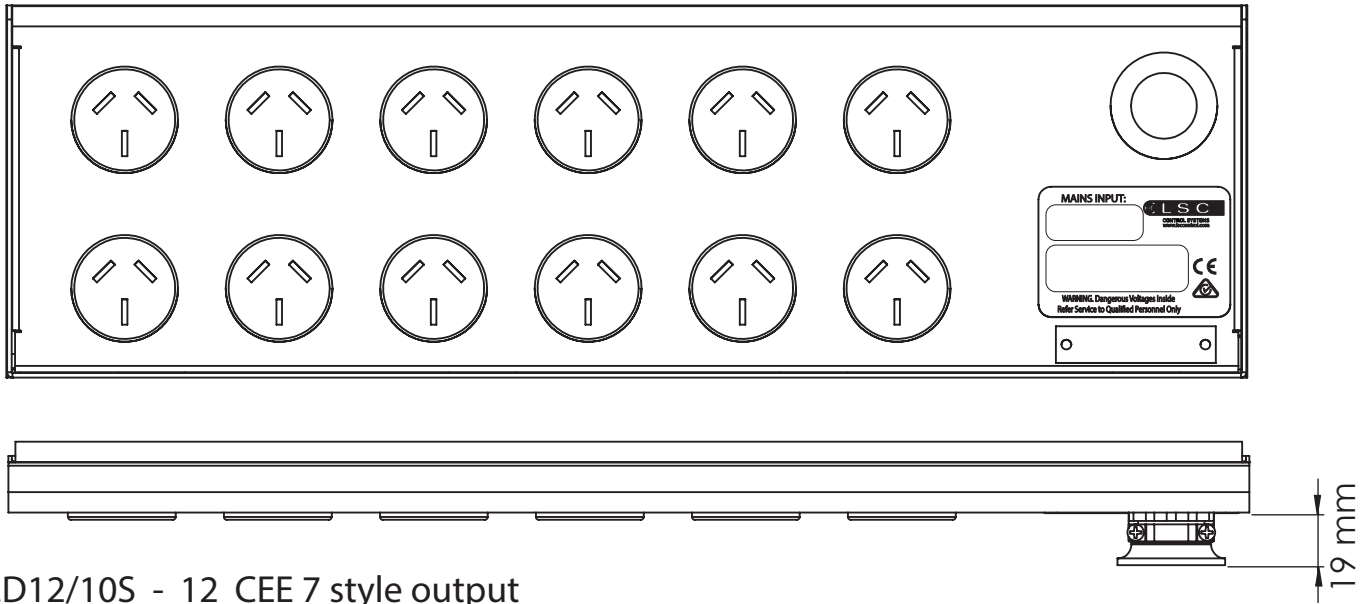


Front View

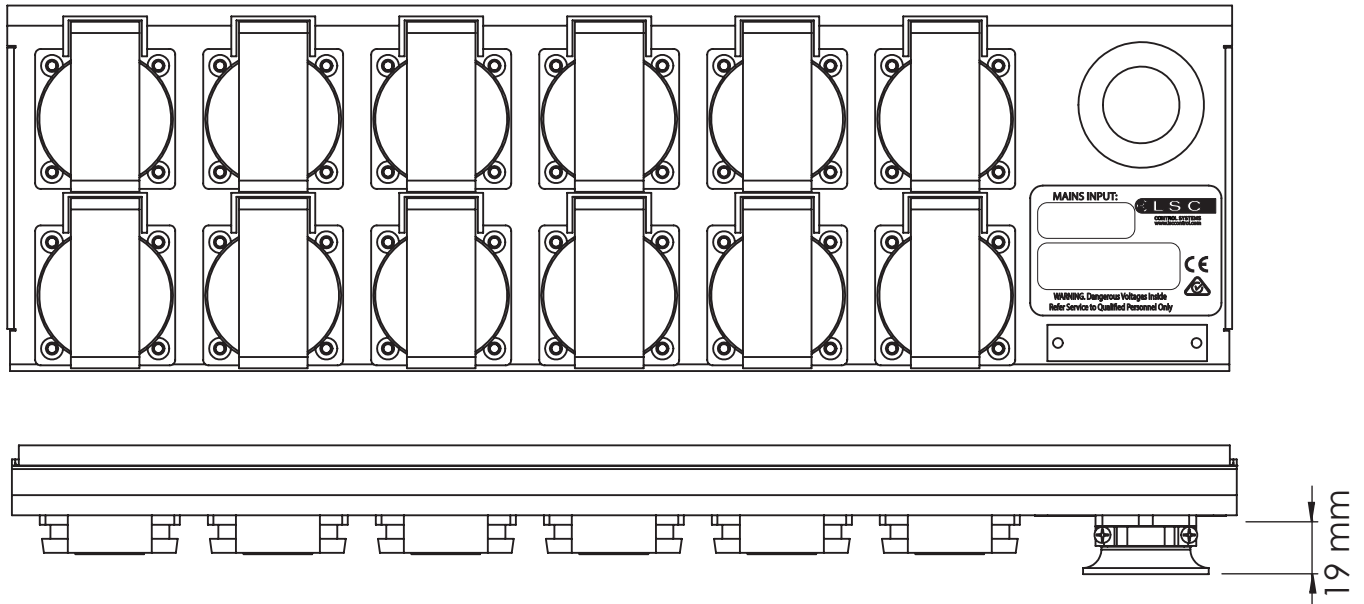


Rear Options

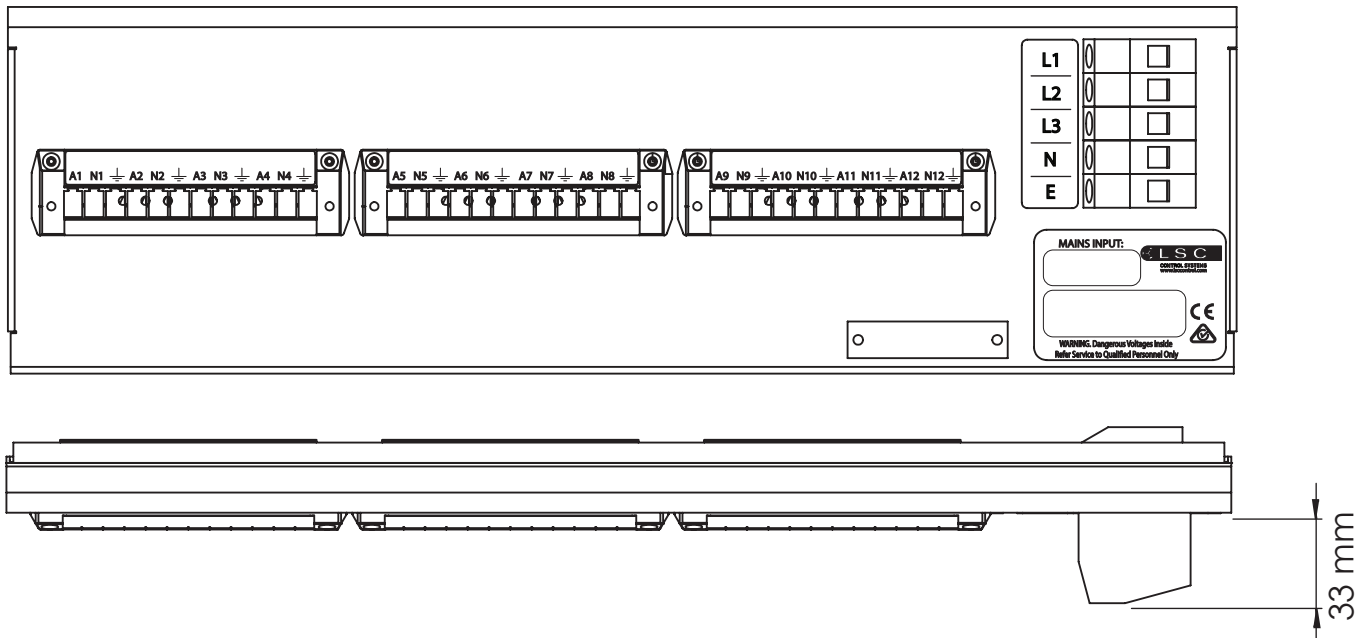
RED12/10A - 12 x 10A 3-pin Australian output



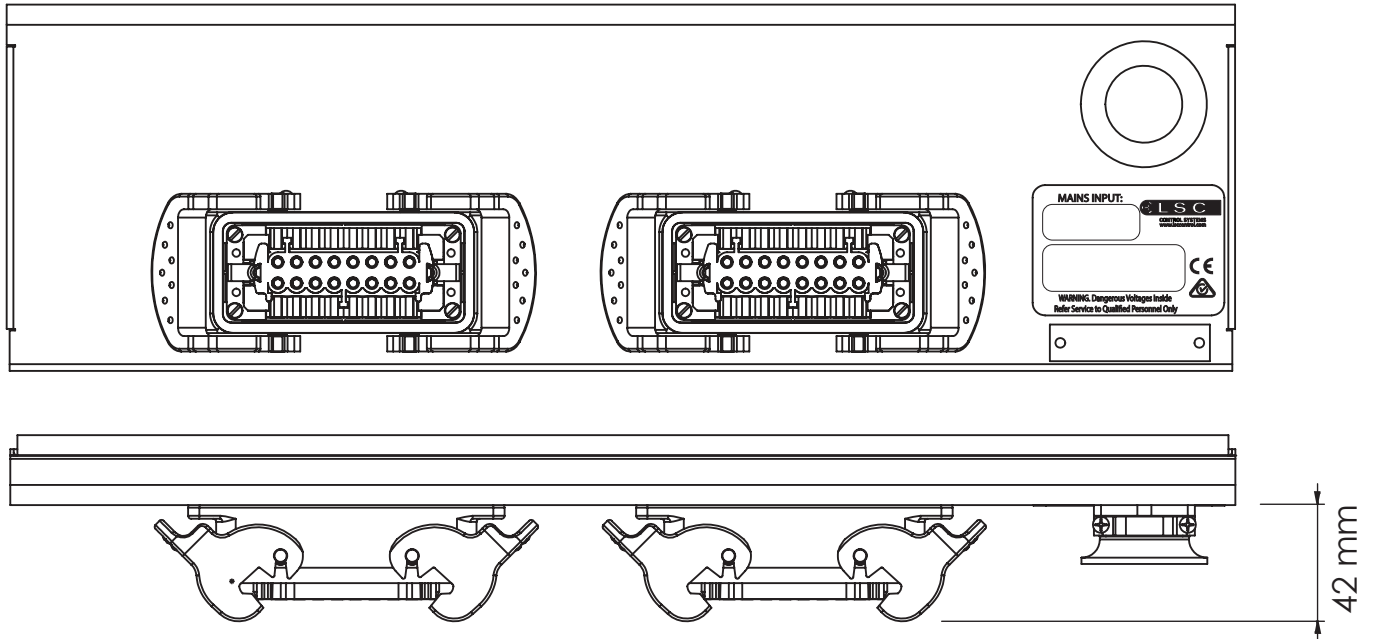
RED12/10S - 12 CEE 7 style output



RED12/10T - Cage-clamp style screw terminals output



RED12/10W - 2 x 16-pin Wieland output



RED12/10X - 2 x 19-pin Socapex output

